

**LITHIUM SULFUR DIOXIDE - LiSO<sub>2</sub>**

APPLICATION:  
 PART NO: SR182176 MFG. DATE: MM/YY  
 NOMINAL VOLTAGE: 14V S/N: XXXXX  
 CAPACITY: 100Ah  
 NO. OF CELLS/TYP OF CELL: 2 x 5S10P / LO43SHX  
 LI WT/PACK: 170g

SAFT AMERICA INC.  
 VALDESE, NC 28690

**CAUTION: HIGH ENERGY LITHIUM BATTERY**

DO NOT INCINERATE, EXPOSE TO TEMPERATURES ABOVE 185° F (85° C) OR RECHARGE. DO NOT DISCHARGE BELOW 2.0 VOLTS PER CELL.

NOTE: BATTERY CONTAINS:  
 DIODE: 5A  
 FUSE: 5A

SAFT AMERICA INC.  
 VALDESE, NC 28690

**NOTES:**

- 2 - 5S10P LO43SHX CELLS. EACH 5S STRING CONTAINS 60V/5A DIODE, PMEG060V050EPD, AND 1A SLO BLO FUSE.
  - EACH 5S STRING IS INDIVIDUALLY TESTED BEFORE PACK ASSEMBLY
- EACH 5S10P PACK CONSISTS OF 5A SLO BLO 3AG FUSE IN PANEL MOUNT, HTB-641-R, FUSE HOLDER IN SERIES WITH BAT+ LEAD
- OUTPUT CONNECTOR: TE CONNECTIVITY PART NUMBER - 350779-1
  - CONNECTOR STRAIN RELIEF: TE CONNECTIVITY PART NUMBER 641776-1
- BATTERY POTTED USING URETHANE LOCKFOAM
- AFTER ALL FINAL INSPECTION TESTS, WRAP CABLE INTO COIL AND SECURE TO BATTERY USING RUBBER BAND (MRO # BA1052).
- MAX BATTERY WEIGHT < 17LBS

**\*\*\* FINAL TEST TABLE \*\*\***

CON ID	TEST	VOLTS (MIN)	VOLTS (MAX)	LOAD AMPS	TIME	LOAD OHM	EQUIPMENT
J1	NO LOAD (OCV)	14	15.5				JENKINS BATTERY TESTER
	LOAD VOLTAGE (LV)	11			≥5	11	
	DIODE	46.5	48	<5mA			
J2	NO LOAD (OCV)	14	15.5				JENKINS BATTERY TESTER
	LOAD VOLTAGE (LV)	11			≥5	11	
	DIODE	46.5	48	<5mA			

CUSTOMER CONTROLLED			
CUSTOMER PN:	EC-310-302-DE	CUSTOMER REV:	B
TITLE:	2 - 5S10P - LO43SHX CELLS WITH 60V/5A DIODE PER STRING		REV HISTORY ON SHEET 1 ONLY
PART NUMBER:	SR182176		REV P2

**saft** 313 Crescent Street ValdeSE, NC 28690 USA Telephone 828-874-4111 Fax 828-874-2431

THIS DRAWING OR SPECIFICATION IS THE PROPERTY OF SAFT AMERICA, INC. AND SHALL NOT BE REPRODUCED, COPIED, OR USED AS THE BASIS FOR THE MANUFACTURE OR SALES OF APPARATUS WITHOUT PERMISSION. THIS DRAWING IS SUBJECT TO CHANGE WITHOUT NOTICE.

DRAWN BY: JAL DATE: 11/03/20

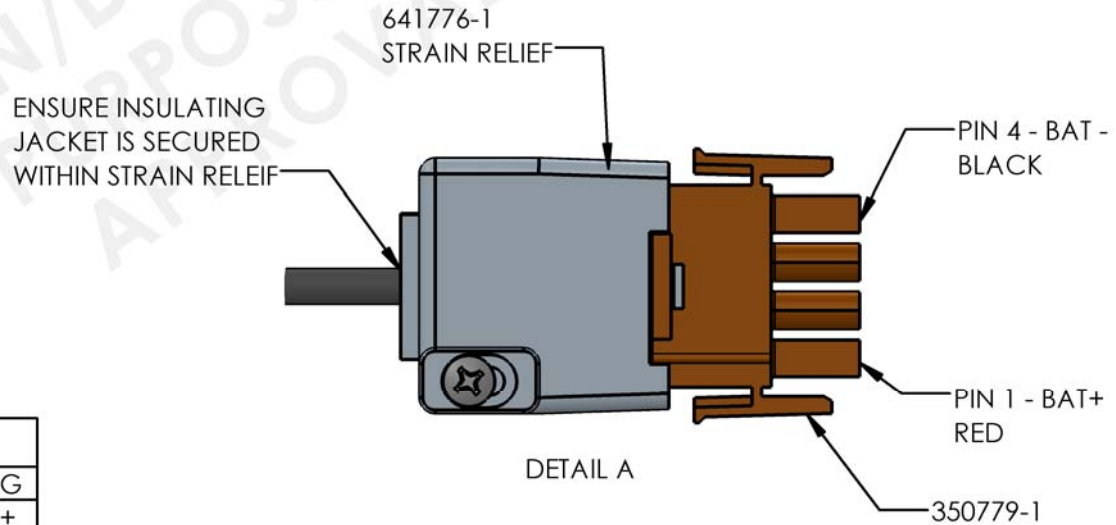
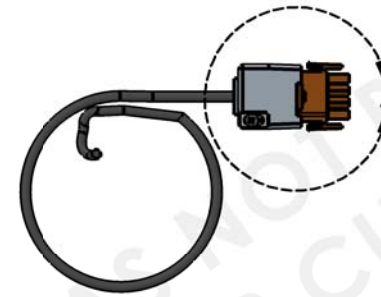
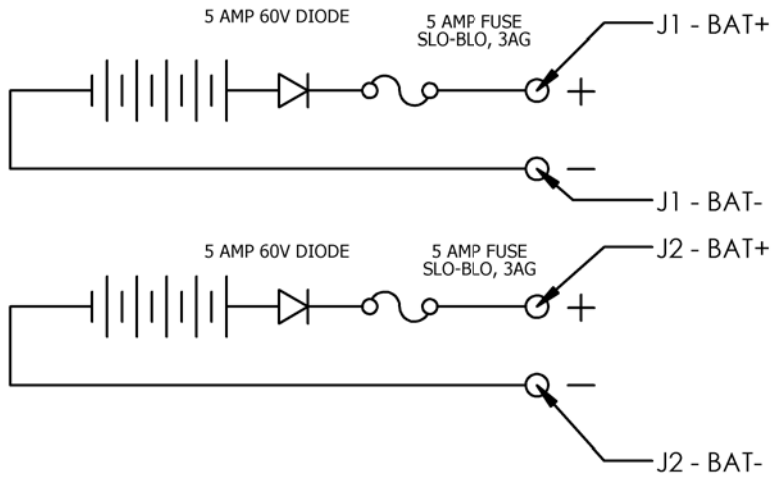
UNLESS OTHERWISE SPECIFIED, ALL DIMENSIONS ARE IN INCHES

TOLERANCES: ANGLES: ±0° - 30' FRACTIONS: ±1/16 2 PLACE DECIMALS: ±.02 3 PLACE DECIMALS: ±.005

See Sheet 1 for Approval Details

SIZE: A SCALE: NONE CAGE: 7X634 SHEET 2 OF 3

**SIMPLIFIED WIRING SCHEMATIC**



**CONNECTOR PIN OUT**

CONN	WIRE COLOR	AWG	PINS	PIN OUT	DESIG
J1	RED	20	640347-2	1	BAT+
	BLACK	20	640347-2	4	BAT-
J2	RED	20	640347-2	1	BAT+
	BLACK	20	640347-2	4	BAT-

**CUSTOMER CONTROLLED**

CUSTOMER PN: EC-310-302-DE CUSTOMER REV: B



313 Crescent Street  
Valdese, NC 28690 USA  
Telephone 828-874-4111  
Fax 828-874-2431

THIS DRAWING OR SPECIFICATION IS THE PROPERTY OF SAFT AMERICA INC. AND SHALL NOT BE REPRODUCED, COPIED, OR USED AS THE BASIS FOR THE MANUFACTURE OR SALES OF APPARATUS WITHOUT PERMISSION. THIS DRAWING IS SUBJECT TO CHANGE WITHOUT NOTICE.

DRAWN BY: JAL DATE: 11/03/20  
THIS DRAWING BASED ON ANSI Y14.5M-1994

UNLESS OTHERWISE SPECIFIED, ALL DIMENSIONS ARE IN INCHES  
TOLERANCES: ANGLES: ± 0° - 30'  
FRACTIONS: ± 1/16  
2 PLACE DECIMALS: ± .02  
3 PLACE DECIMALS: ± .005

See Sheet 1 for Approval Details

SIZE: A  
SCALE: NONE  
CAGE: 7X634  
SHEET: 3 OF 3

TITLE: 2 - 5S10P - LO43SHX CELLS WITH 60V/5A DIODE PER STRING

PART NUMBER: SR182176

REV HISTORY ON SHEET 1 ONLY  
REV: P2